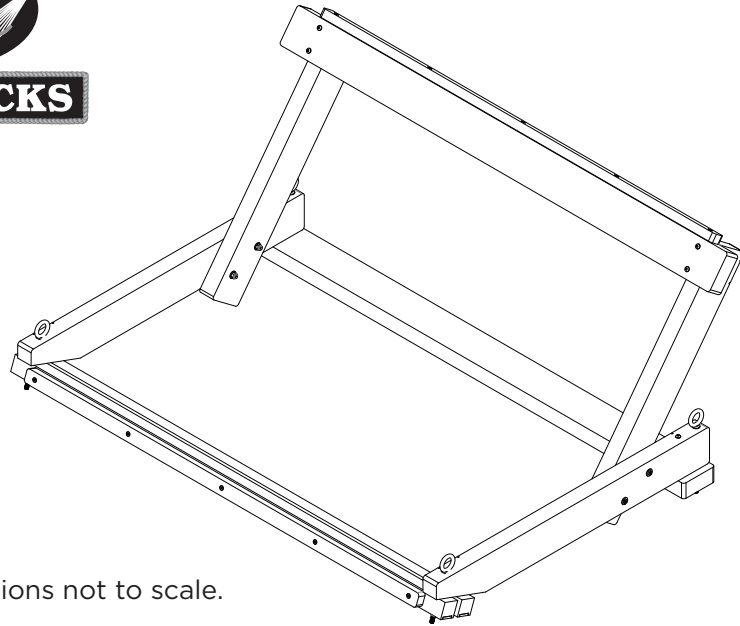




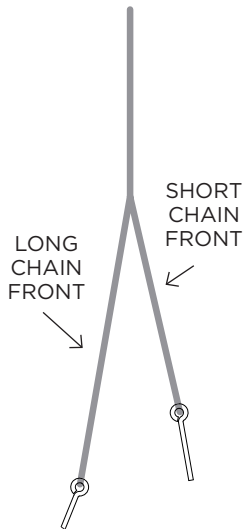
48" DOUBLE ROPE SWING INSTRUCTIONS



NOTE. Instructions not to scale.

CHAIN SET

- CHAIN SETS: (2)
- Eye Bolts, nuts, and washers attached



NOTE. Add chains after completing assembly.

HARDWARE PACK



(6) 4.5" Barrel Bolts



(6) Barrel Nuts



(2) 2.25" Hex Bolt

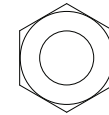


(4) 3.5" Hex Bolts

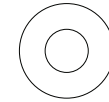
(2) Tree Hooks and chain sets



(1) Allen Wrench



(4) Lock-nuts



(8) Washers

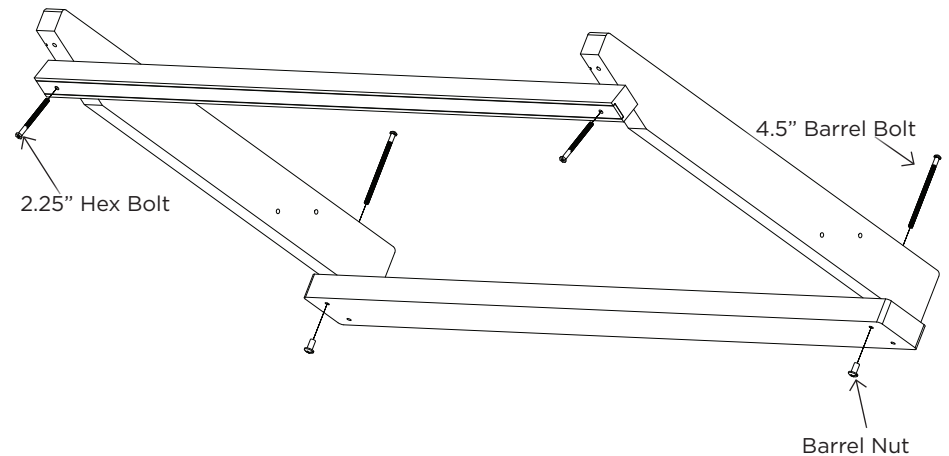
SUGGESTED TOOLS

- Rubber Mallet
- Adjustable Wrench
- Phillips Head Screwdriver

ASSEMBLY

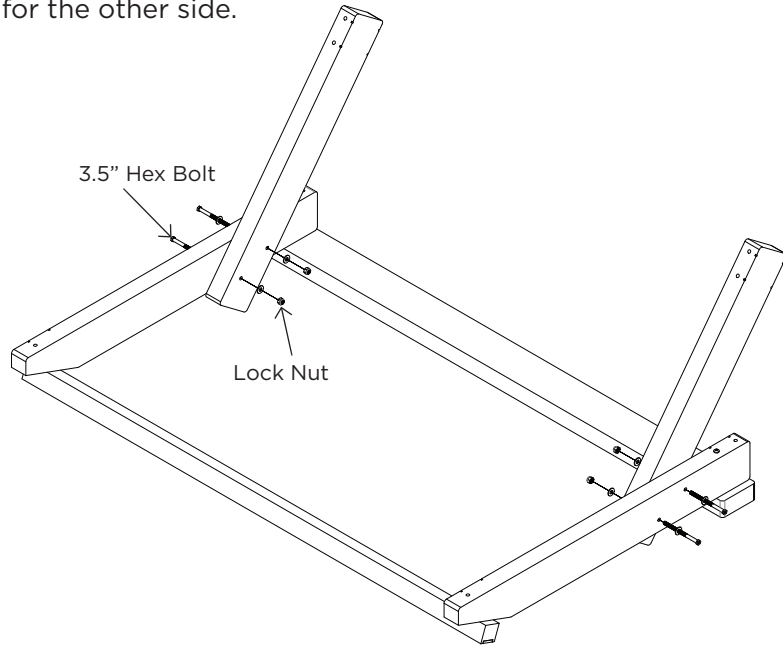
STEP 1. Arrange 2 side frames approximately 48" apart. Using Front Cross support secure with (1) 2.25" Hex Bolt into the insert on each side. Align back Cross Support and secure with (1) 4.5" Barrel Bolt per side.

NOTE. Do **not** tighten bolts until Step 4.

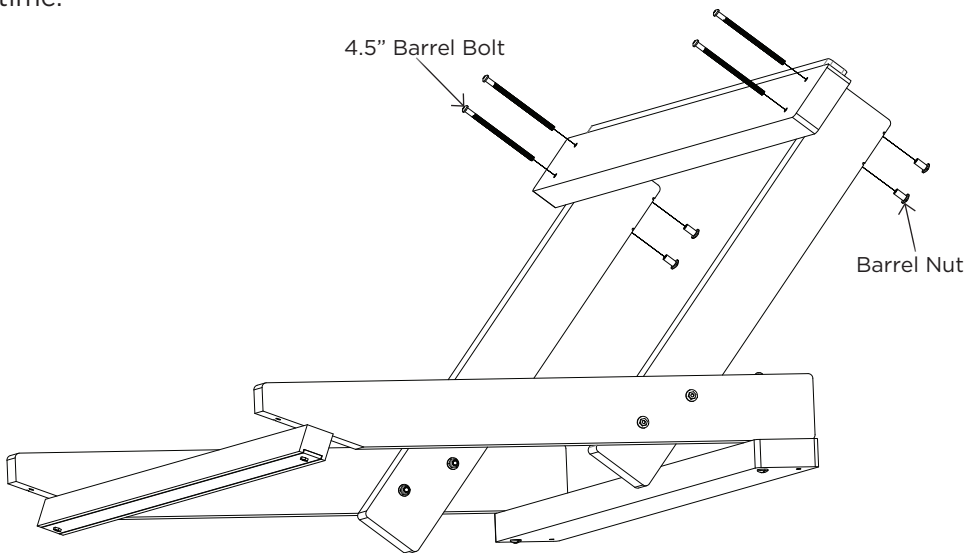


ASSEMBLY

STEP 2. Position an upright as shown and secure it with (2) 3.5" Hex bolts and a washer on each side of the material. Repeat for the other side.



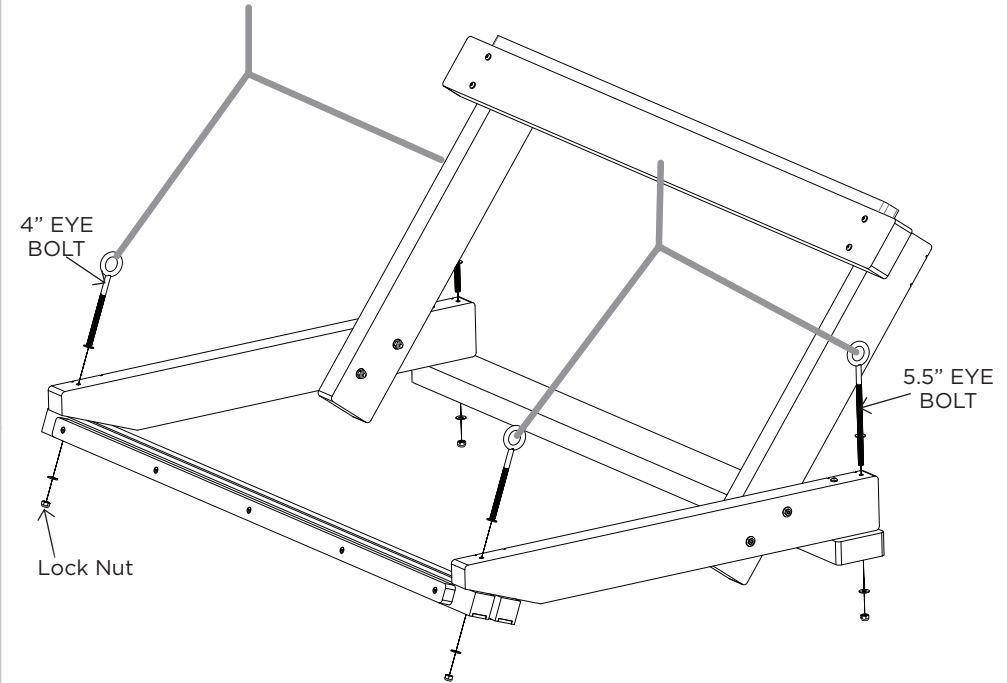
STEP 3. Unroll Roll-up, use (4) 4.5" Barrel Bolts and (4) Barrel Nuts to attach frame to left and right supports, one side at a time.



STEP 4. Attach long bolt of Chain Assembly in the hole on the Left Side Frame, by first unscrewing the nut and removing 1 washer. Thread bolt with one washer through the frame and secure with washer and locknut. Repeat for the right side, then repeat for the front using the front of the roll-up as shown.

Make sure to tighten all bolts then hang the swing using the included tree hooks or two other properly installed hooks - spacing hooks approximately 48" apart.

Enjoy your new Nag's Head Double Swing!



Congratulations on purchasing this Original 48" Nag's Head Double Rope Porch Swing. QUESTIONS REGARDING THIS PRODUCT? Call our customer service team, 252-295-0405.

INSTALLATION - Get somebody to help you, some pieces are heavy and a second pair of hands is always helpful. Do not tighten bolts until the product is fully assembled. Some pieces are harder to fit in place and this will help. A hammer or rubber mallet is needed during assembly. Do not over-tighten the bolts or screws. Build your item close to where it will be used to eliminate difficulty in moving once completed. For a uniform look, face all nuts in the same direction.

MAINTENANCE - Great care has been put into manufacturing this item. However, it is made of high density resin and some natural aesthetic imperfections and dark spots are normal and should be expected. You can wash the wood and the rope using a hose and some bleach water. You can also brush the wood to help remove dirt.

Periodically check bolts after assembly and re-tighten when necessary.

WARRANTY & RETURNS - Nags Head Hammocks products are guaranteed to be free of defects in both workmanship and material. Prolonged exposure to weather conditions including snow, rain, and humidity are not covered under the warranty, nor is damaged caused by normal wear, mildew, or improper care, including storage, maintenance, and assembly. If you are not satisfied with an item, return it unused in its original packaging for a complete refund or exchange. You can return it to any of our stores or to our warehouse, Nags Head hammocks, 305 Industrial Blvd., Greenville, NC 27834. Please include a copy of your receipt and your contact information.