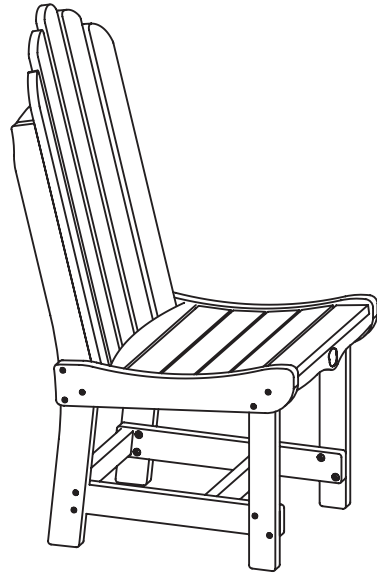
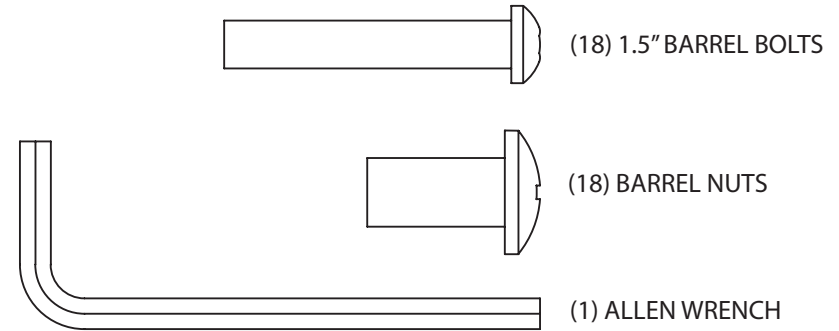


# CLASSIC DINING CHAIR INSTRUCTIONS



## HARDWARE PACK

Hardware Pack Weight: 10.4 oz.



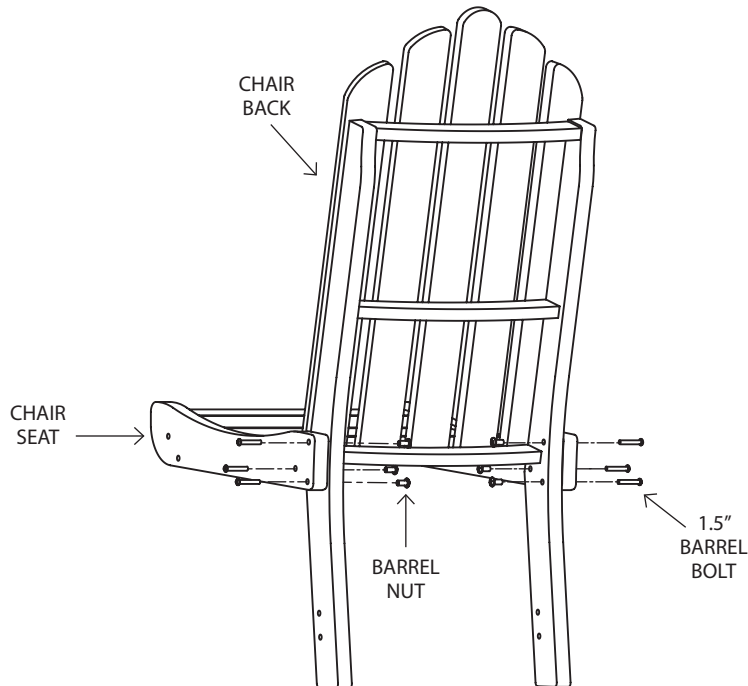
(18) 1.5" BARREL BOLTS

(18) BARREL NUTS

(1) ALLEN WRENCH

## ASSEMBLY

STEP 1. Use (6) 1.5" barrel bolts to attach chair back to chair seat. Keep all barrel bolts loose until Step 3.



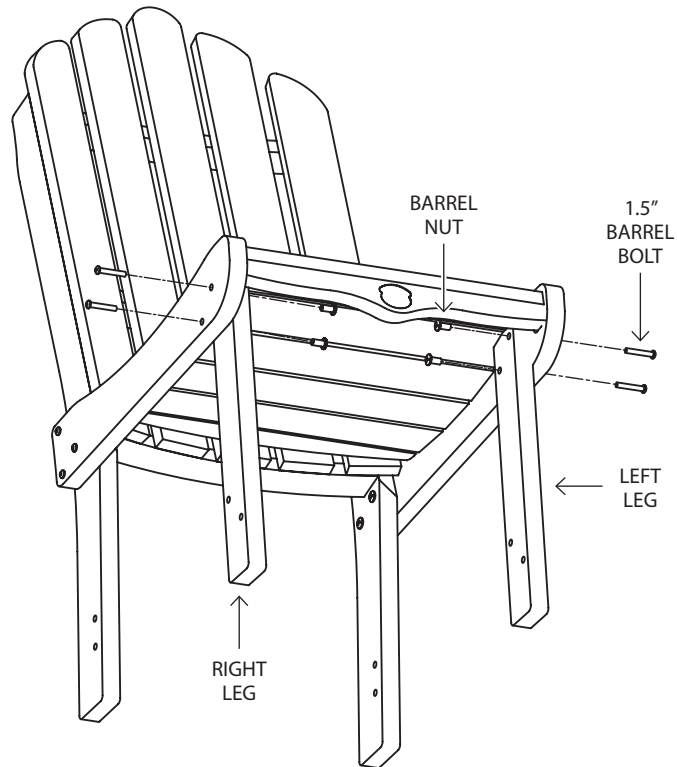
## CHAIR PARTS

- CHAIR BACK
- CHAIR SEAT
- LEFT LEG
- RIGHT LEG
- BOTTOM CHAIR FRAME

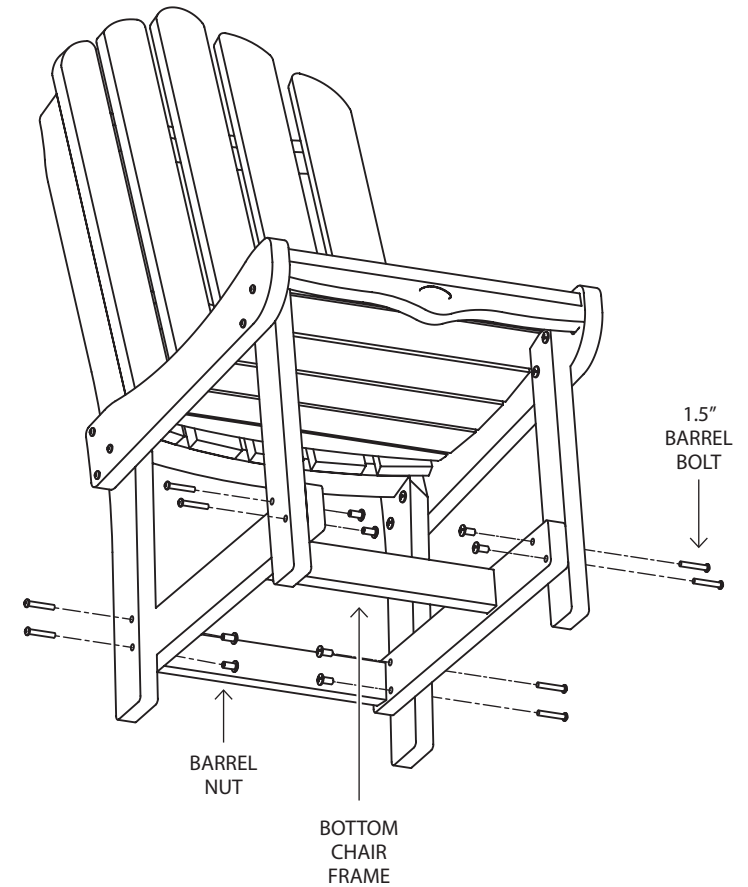
## SUGGESTED TOOLS

- PHILLIPS HEAD SCREWDRIVER

STEP 2. Use (4) 1.5" barrel bolts to attach left and right leg to chair seat. Keep all barrel bolts loose until Step 3.



STEP 3. Use (8) 1.5" barrel bolts and (8) barrel nuts to attach chair frame to chair legs. Tighten all bolts.



Congratulations on purchasing this Classic Dining Chair. QUESTIONS REGARDING THIS PRODUCT? Call our customer service team, 800.643.3522.

RESIDENTIAL WARRANTY - This quality product includes a FULL LIFETIME WARRANTY for RESIDENTIAL CUSTOMERS. In the unlikely event any splintering, rotting, cracking, peeling, chipping, insect infestation or other damage should ever occur, The Hammock Source will replace this furniture, at no charge to you. Note that an original sales receipt must accompany any returned product, along with a Return Authorization Number from Hammock Source customer service; call toll-free at 800.643.3522.

CONTRACTOR WARRANTY - CONTRACTORS receive a FULL 7-YEAR WARRANTY. Follow the same steps outlined above.